

OUTLINE

VOLTAGE (volts)	PART NUMBER								RESISTANCE (ohms @ 20°C)	INDUCTANCE ±5% (milliHenry @ 20°C)	INITIAL CURRENT DRAW (ampere)	INITIAL POWER CONSUMPTION (watts)
	ER	ERZ	EY	EYZ	EJ	EJZ	EL	ELZ				
10	4303610	4304010	4303410	4303810	4306110	4305910	---	---	6.19±3%	6.22	1.62	16.16
12	4303612	4304012	4303412	4303812	4306112	4305912	4305112	4306812	8.82±3%	10.61	1.36	16.33
20	4303620	---	4303420	---	4306120	4305920	---	---	23.86±5%	30.48	0.84	16.76
24	4303624	4304024	4303424	4303824	4306124	4305924	4305124	4306824	33.75±5%	44.00	0.71	17.07
36	4303636	---	4303436	---	4306136	---	---	---	78.53±5%	95.71	0.46	16.50

CONNECTOR	CONNECTOR CODE	IP RATING
DEUTSCH DT04-2P	ER	69
METRI-PACK 150 2M	EY	69
AMP Jr. TIMER	EJ	69
DUAL LEADS	EL	69

DIODE TYPE	DIODE TYPE CODE	CIRCUIT DIAGRAM
BI-DIRECTIONAL ZENER DIODE	Z	

DESCRIPTION & SPECIFICATIONS

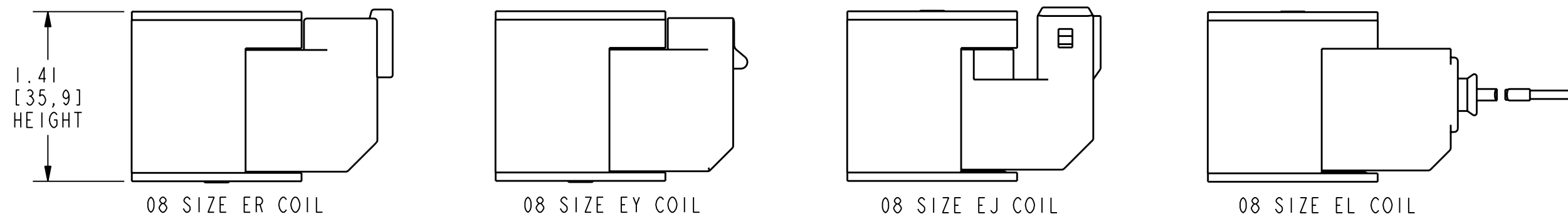
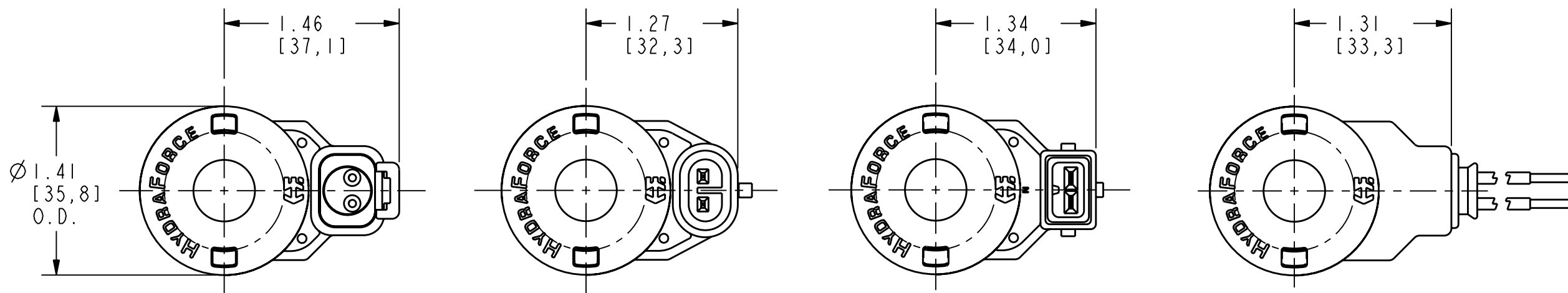
MAGNET WIRE: U.S. CLASS N
(200°C MINIMUM RATING)
CONSTRUCTION: MAGNET WIRE WOUND ON A MOLDED 30% GLASS
FILLED BOBBIN AND ENCAPSULATED WITH 30% GLASS
FILLED POLYESTER RESIN. OVERMOLDED COIL IS
FRAMED IN STEEL.
DEUTSCH DT04-2P MATING CONNECTOR: DT06-2S-P012
METRI-PACK 150 2M MATING CONNECTOR:
DELPHI/PACKARD NUMBER 12052641

BIDIRECTIONAL ZENER DIODE FOR 12 VDC:

MAXIMUM CLAMPING VOLTAGE: 45.7 volts
MAXIMUM PEAK PULSE CURRENT: 13.2 amperes
REVERSE STANDOFF VOLTAGE: 28.2 volts
MAXIMUM REVERSE LEAKAGE: 5.0 microamperes
BREAKDOWN VOLTAGE: 31.4 volts (MINIMUM)
34.7 volts (MAXIMUM)
HF#(REF)=6110163

BIDIRECTIONAL ZENER DIODE FOR 24 VDC:

MAXIMUM CLAMPING VOLTAGE: 64.8 volts
MAXIMUM PEAK PULSE CURRENT: 9.3 amperes
REVERSE STANDOFF VOLTAGE: 40.2 volts
MAXIMUM REVERSE LEAKAGE: 5.0 microamperes
BREAKDOWN VOLTAGE: 44.7 volts (MINIMUM)
49.4 volts (MAXIMUM)
HF#(REF)=4000063



MODEL CODE EXAMPLE:

SV08-XX-0-X-12ERZ

CAVITY AND COIL SIZE VOLTAGE
CONNECTOR DIODE TYPE

WEIGHT
E-COIL:
0.35 lb [0.16 kg]

SCALE 1:1 DO NOT SCALE DRAWING	THIRD ANGLE PROJECTION 		DESCRIPTION <h3 style="text-align: center;">E COIL 08 SIZE</h3>
THIS DRAWING IS THE PROPERTY OF HYDRAFORCE, INC., 500 BARCLAY BOULEVARD, LINCOLNSHIRE, IL 60069, AND IS LOANED SUBJECT TO RETURN UPON DEMAND. IT IS NOT TO BE REPRODUCED OR USED DIRECTLY OR INDIRECTLY IN ANY WAY DETRIMENTAL TO THE INTEREST OF HYDRAFORCE. HYDRAFORCE HYDRAULICS, LTD. IS A WHOLLY OWNED SUBSIDIARY OF HYDRAFORCE, INC.		DRAWING NUMBER <h3 style="text-align: center;">SHEET 1 OF 1</h3>	REV ECN BY DATE
		E_COIL_OL_P_08	3 051260 MAM/KCF 21JUN2005